

leco 380

Automotive Equipment



Automatic tyre changer conceived for industry professionals

It can work on **all types of wheels from 10" to 26"**



Automatic Tyre Changers



Ideal to handle particularly tough or low profile tyres such as «Run-Flat».

Automatic tyre changer conceived for **industry professionals** and suitable to handle **car and van wheels** having rim from **10" to 26"**.

His high **robustness** and **reliability**, the **extractable pedal unit** for easy maintenance activities, the **double acting bead breaker cylinder**, the reduced height from ground and the adoption of **many patented technical solutions** make this machine ideal to handle **particularly tough or low profile tyres such as «Run-Flat»**.

Standard equipped with plastic protections for all the elements which could cause damages to the rim, it is usually supplied with the **patented** optional auxiliary device **UPH** and **BPS**.

Available versions:

- with the tubeless inflating device (**t.i. version**).
- with 2-speed turntable (**2 speed version**).
- with traditional or pneumatic (**P version**) control of the working arm.
- available also in configuration with the motoinverter (**MI version**).



1 MOUNTING HEAD QUICK CHANGE DEVICE

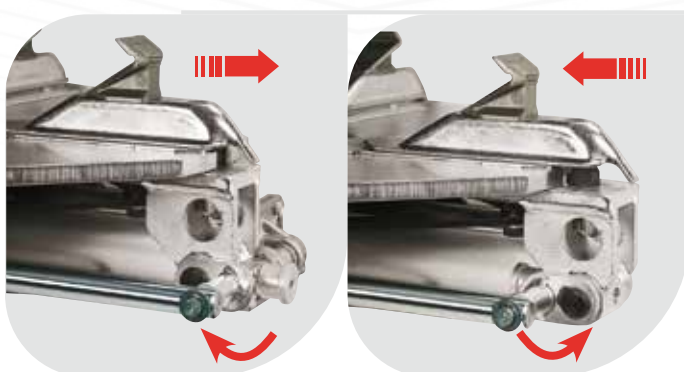
Teco **patented** system integrated inside the hexagonal vertical **arm** which allows changing mounting heads in seconds without reducing the original machine working capacity.



2 WORKING ARM

The working arm control **can be manual** by means of a **reinforced spring** or **pneumatic (P version)** through an on-purpose **cylinder** to achieve a better level of safety and accuracy.

The vertical post is also equipped with conic bushes and regulation systems for easy maintenance activities.



3 SELF-CENTERING TURNTABLE

The **Teco 380** has a **new-concept turntable** with mechanism designed to assure high performance over time.

In spite of the breadth of its working range (**10"- 26"**), the turntable is compact and has **2 working positions**: the first from **10"** to **24"**, the second from **13"** to **26"**.

4 BEAD BREAKING SYSTEM



Bead breaker arm equipped with high efficiency double acting cylinder and with a Teco **patented system** which allows exactly the **right position no matter the wheel diameter or width**, thus improving the accuracy of bead breaking operations.

Also the **wheel support is adjustable in 2 different positions**.



5 UNIVERSAL PNEUMATIC DEVICE UPH & BPS (OPTIONAL)

Universal auxiliary device **UPH & BPS**, which assists the operator to easily mount and demount particularly tough or low profile tyres such as «**Run-Flat**».

This **patented** system allows to handle the second tyre bead without using the lever, thus avoiding any risk of rim damaging. Other right side help arms (**SPH** or **TPH**) are also **available on demand**.



Automatic Tyre Changers



STANDARD ACCESSORIES



RECOMMENDED ACCESSORIES



PLS2

Pneumatic lift complete with roller rest having maximum working capacity of 60 kg (135 lbs). It quickly positions the wheel on the self-centering turntable without any operator effort.



UWA24

Wheel adapters to increase the turntable clamping capacity of 6" (effective tool working range gain on TECO 380 with UWA24 +3").



UMA

Motorcycle adapters having clamping capacity from 5" to 27" (effective tool working range on TECO 380 with UMA 10"-27").



RS

Mounting tool for convex spoke rims.



UPA

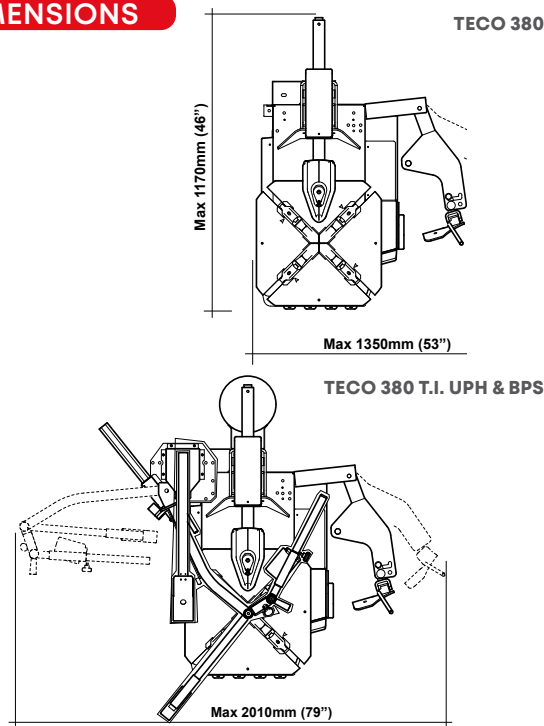
Plastic mounting tool.

For other optional accessories, refer to separate catalogue

TECHNICAL DATA

Clamping capacity	10"-26"
External clamping capacity	10"-24"
Internal clamping capacity	13"-26"
Max wheel diameter	1.060 mm (42")
Max wheel width	370 mm (14,5")
Bead breaker force	2.900 Kgf (6.395 lbf)
Turntable speed	8 rpm (8-15 rpm 2sp)
Noise level	< 70 ± 3 dB(A)
Working pressure	8-10 Bar (116-145 psi)
3-phase el. motor	0,55 kW (0,75 Hp)
1-phase el. motor	0,75 kW (1,0 Hp)
Net weight	255 Kg (560 lbs)
Net weight - t.i. version	270 Kg (595 lbs)

DIMENSIONS



The manufacturer reserves the right to modify the features of its products at any time.

Cod. DPTC000445_09_2023